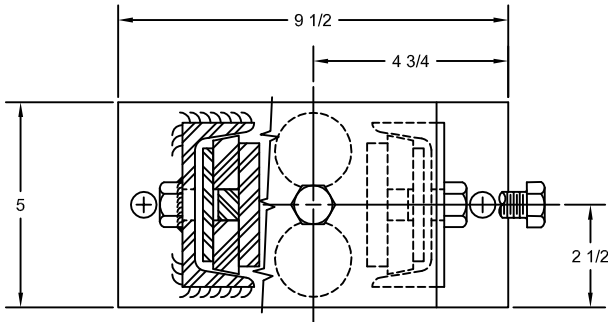
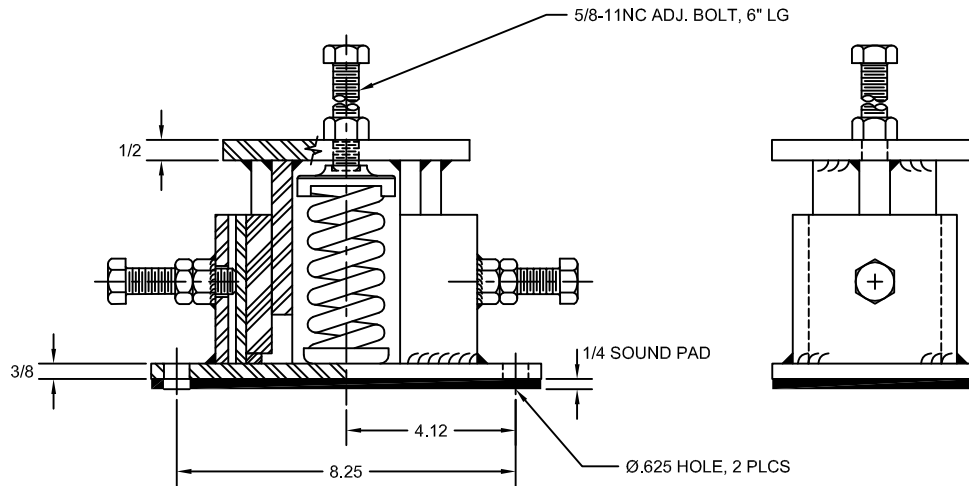


123R-103941 REV.: 1

REV.	DESCRIPTION	DATE	BY



PART NUMBER	ISOLATOR MODEL	MAX. STEADY (LBS)	MAX. IMPACT (LBS)	ISOLATOR CONSTANT (LBS)	MIN. FREE HEIGHT	COLOR CODE
605999-50	SKDY-50	100	▲	50	6	YELLOW
605999-51	SKDY-51	250	▲	125		ORANGE
605999-52	SKDY-52	400	▲	240		BROWN
605999-53	SKDY-53	600	▲	380		BLACK
605999-54	SKDY-54	1000	▲	690		GREEN
605999-55	SKDY-55	1,400	▲	1120		BLUE
605999-56	SKDY-56	2400	▲	3300	5 1/8	PURPLE
605999-45	SKDY-45	650	520	880		BROWN
605999-46	SKDY-46	900	720	1600		RED
605999-47	SKDY-47	1200	960	2450		PURPLE
605999-57	SKDY-57	2200	1650	4260		BLUE
605999-68	SKDY-68	2600	2450	5300		GREEN



NOTES:

1. ▲ CURRENTLY UNDER ENGINEERING REVIEW.
2. MINIMUM OPERATING HEIGHT IS 5 1/8", OR FREE HEIGHT MINUS SPRING DEFLECTION,WHICHEVER IS GREATER.
4. ALL DIMENSIONS IN INCHES. INTERPRET PER ANSI Y14.
5. STANDARD FINISH:
  - A. ONE COAT STANDARD VMC COLOR
  - B. SPRING: POWDER COATED
  - C. HARDWARE: ELECTRO-ZINC PLATED
6. EST. UNIT WT: 30 LBS

OTHER MATERIALS, COMPOUNDS, OR FINISHES WITH EQUAL OR SUPERIOR PROPERTIES MAY BE SUBSTITUTED AS THEY BECOME AVAILABLE.

**CERTIFIED FOR:**

JOB NAME: \_\_\_\_\_  
 CUSTOMER : \_\_\_\_\_  
 CUSTOMER P.O.: \_\_\_\_\_  
 SALES ORDER: \_\_\_\_\_

**MODEL SKDY 100-2600 LBS. SPRING ISOLATOR WITH ADJUSTABLE SNUBBER**



**THE VMC GROUP**  
*The Power of Together*  
 Bloomingdale, NJ 07403  
 Houston, TX 77041

SCALE :

NONE

SHEET:



DRAWING NO.:

REVISION